

Pyramid Series Proximity™ Reader

Models P-300 Cascade and P-500 Alps

- Significantly lower cost than competing OEM proximity readers
- Sleek attractive packages
- Ultra Thin profile
- Industry standard pass through Wiegand output for compatibility with any access system
- Available in several colours
- Scratch resistant finish



Keri's single piece **Pyramid Series Proximity Readers**, featuring optional HID compatibility, are designed to blend aesthetics, performance, and small package size with an ultra thin profile into a product that is priced significantly less than competing proximity readers. The readers can be used on virtually any manufacturer's access control system because they produce an industry standard Wiegand output, feature configurable LED and audio tone options, and provide very low power consumption. They have several built in diagnostic functions including a start up self check and a data line test mode. Additionally, they are small and thin enough that they can be easily incorporated into an OEM package should the system manufacturer wish to design their own reader housings.

The first readers in the series are the **P-300 Cascade Reader** and the **P-500 Alps Reader**. The P-300 may be the world's smallest single piece proximity reader at only 3.0 long x 1.5 wide x 0.49 inches thick (76 x 38 x 12mm). It is designed to be mounted on a standard metal door or window frame (mullion) and can be mounted on any metal or non-metal surface without loss of read range. Read range is up to 4 inches (102mm).

The P-500 is a single piece wall mount reader that can be mounted on a flat surface or affixed to a standard U.S. single gang electrical box. Read range is up to 5 inches (127mm) when mounted at least 0.5 inch (13mm) off metal. A 0.5 inch (13mm) stand off is provided with each P-500 reader. Size is 4.5 long x 3.0 wide x 0.38 inches thick (114 x 76 x 10mm). Its thin, sleek profile makes it a much more attractive device to install in the workplace than other readers available on the market.

The Pyramid Readers are compatible with Keri's new **PSC-1 Light Proximity Card**, **PSI-4 Image Technology Proximity Card** and **PSM-2 Multi Technology Proximity Card** as well as the small, extremely robust **PSK-3 Proximity Key Ring Tag**. The new cards and tags can be programmed to match any customer's Wiegand protocol as well as standard 26 bit format. The readers utilise pass-through technology in that any Pyramid Series card or tag will work on any Pyramid Series reader, regardless of the programmed card/tag format.



DATA SHEET

Pyramid Series
Proximity Readers

Pyramid Series Proximity™ Readers

Model P300 Cascade and P-500 Alps

Specifications

Read Range*

P-300 up to 4 inches (102mm)

P-500 up to 5 inches (127mm) off metal (stand provided)

Weight

P-300 2.6 oz. (74g)

P-500 3.2 oz. (91g)

Size

P-300 H=3.0 x W=1.5 T=0.49 inches
(76 x 38 x 12mm)

P-500 H=4.5 x W=3.0 T=0.38 inches
(114 x 76 x 10mm)

Input Voltage**

+5-14 VDC

Current Draw

80 mA typical

Operating Temperature

-40° C to +65° C

LED Indicator

Four State Standard (Red, Green, Amber & Off)

Audio Tone

Standard

Frequency

125 KHz excitation

Formats

Wiegand and ABA Track II Magnetic stripe (clock data)

Colours

Off White and Black colours standard in each box

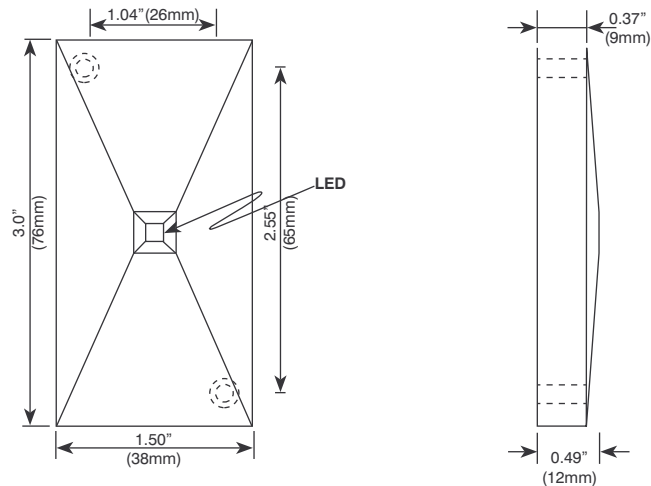
Warranty

The P-300 and P-500 carries a limited lifetime warranty against defects in materials and workmanship

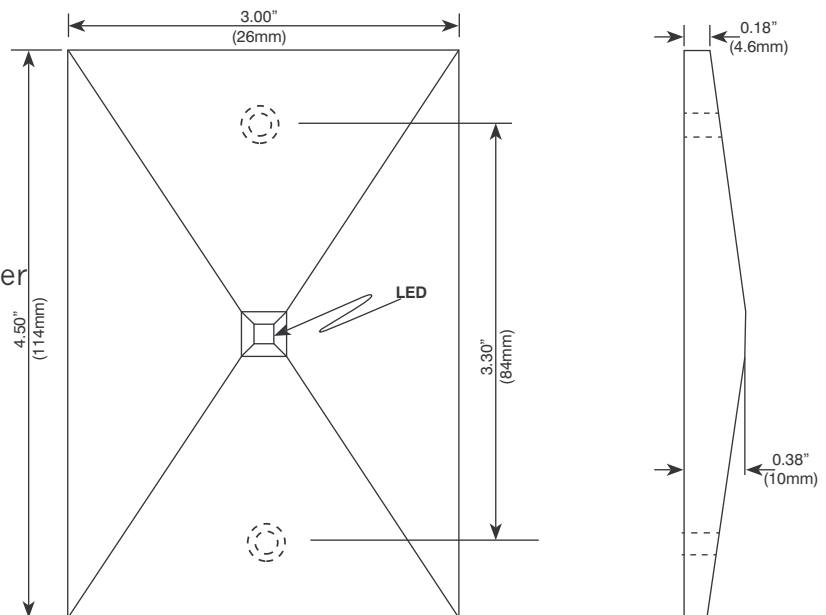
Certifications

CSA, UL, FCC, CE, C-Tick

P-300



P-500



* Read range is stated in a clean RF and electrical environment using Standard Light Proximity Card presented parallel to reader surface with reader operating at 12VDC. Range is less for Key Tag and Multi Technology Card.

**For Maximum read range, reader operation at 12VDC is Recommended.

Specifications subject to change without notice.
Trademarks are the property of their respective owners

Presented By:

