

Number Plate Capture Camera for High Speed

CC-96NP

550TVL, 1/3" High Resolution Color Sony CCD
Build-in 10-40mm Varifocal Auto Iris IR Lens
66PCs Special IR LED



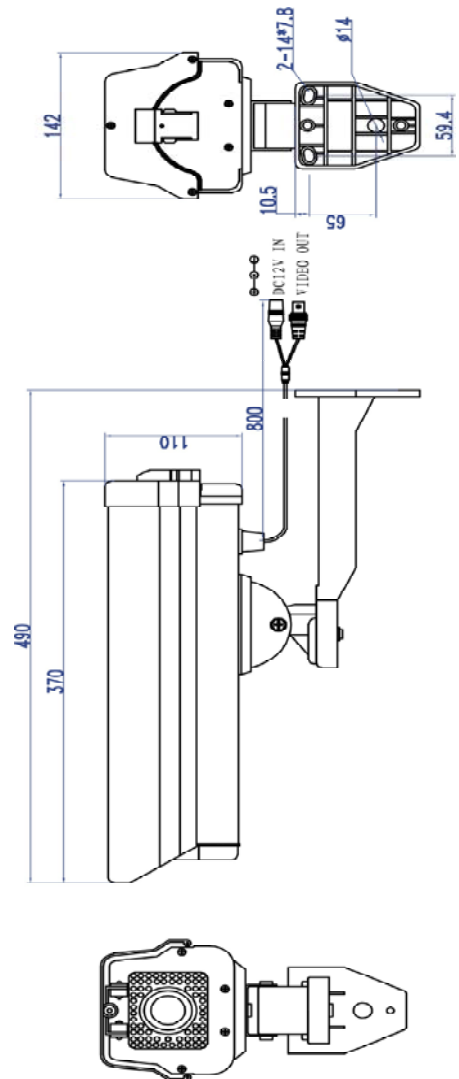
KEY FEATURES

- IP66 Aluminum Outdoor Housing
- 550TVL, 1/3" High Resolution Color Sony CCD
- Removable IR Cut Filter
- 66PCs Special IR LED
- Build-in 10-40mm Varifocal Auto Iris IR Lens
- Recommend Working Distance:5~30m(Outdoor)

SPECIFICATIONS

MODEL	CC-96NP
Type	Color/Monochrome
Filter	Removable IR Cut Filter
Pick Up Device	1/3"Color High Resolution Sony CCD
Picture Elements	NTSC:811H×508V PAL:795H×596V
Resolution	550 TV Lines
Mini Illumination	0 Lux (12PCs Special IR LED on)
Vertical Frequency	NTSC:60Hz ;PAL:50Hz
Horizontal Frequency	PAL:15625KHz
Clock Frequency	PAL:28.375MHz
Scanning System	2:1 Interlace
S/N Ratio	More than 52dB
Electronic Shutter	Fixed
Lens	10-40mm Varifocal Auto Iris IR Lens
White Balance	Auto Tracking
Back Light Compensation	ON
Auto Gain Control	OFF
GAMMA	0.45
Video Out-put	1 Vp-p,75Ω
Power Supply	DC12V(±10%)
Current Consumption	450mA (MAX)
Storage Temperature	(-30 ~ + 60 °C)
Operating Temperature	(-10 ~ + 40 °C)
Recommend Working Distance	5~30M(Outdoor)
Dimension	Φ370×142×110mm
Weight	3100g

APPEARANCE



※ Specification could be modified without prior notice